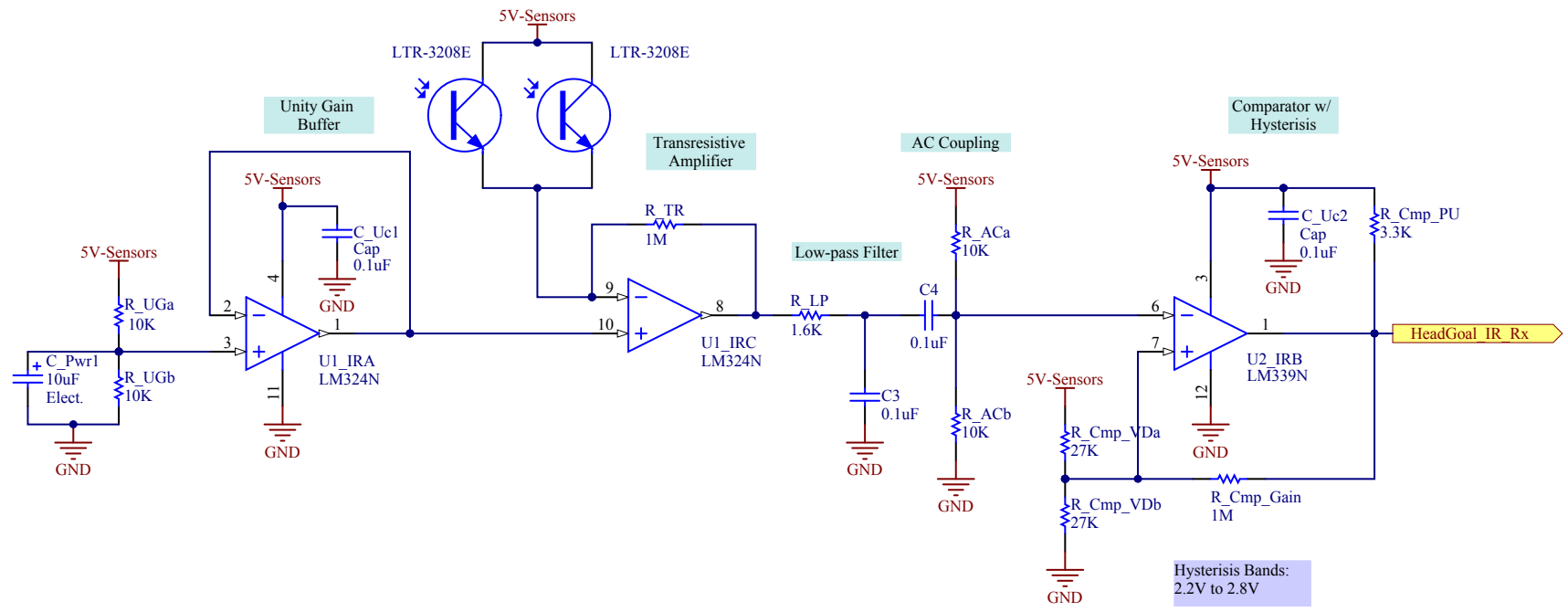


IR Input Signal:
 - 1250 Hz (Goal)
 - 2083 Hz (Head)



Title		
IR Receiver Board		
Size	Number	Revision
A		Final
Date:	3/13/2014	Sheet of
File:	C:\Users\...\Board-IR Receiver.SchDoc	Drawn By: Will Tucker